

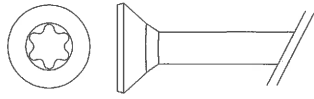
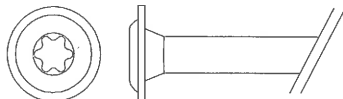
**DECLARATION OF PERFORMANCE**  
**No. 3-0203-12-02**

TENZ® Holzbauschrauben

1. Unique identification code of the product-type:	TENZ® Wood building screw
2. Intended use/es:	wood building screws for use in timber constructions
3. Manufacturer:	TENZ GmbH, Puntigamer Straße 127, 8055 Graz, Österreich
4. Authorised representative:	not relevant
5. System/s of AVCP:	System 3
6a. Harmonised standard: Notified bodies:	EN 14592:2008 + A1:2012 NB1034 & NB0769

7. Declared performance/s:

Essential characteristic	Performance			Harmonised standard
D[mm] diameter	6	8	10	EN 14592:2008 + A1:2012
d <sub>1</sub> [mm]* diamètre intérieur filetage	3,6	5,0	6,2	
M <sub>y,k</sub> [Nm]*	10	24	40	
f <sub>tens,k</sub> [kN]*	11	22	34	
f <sub>ax,k</sub> [N/mm <sup>2</sup> ]*	15	15	11	
ρ <sub>k</sub> [kg/m <sup>3</sup> ]	337	336	349	

							
D[mm]	6	8	10	6	8	10	EN 14592:2008 + A1:2012
d <sub>head</sub> *	11	14	17	14	20	23	
f <sub>head,k</sub> [N/mm <sup>2</sup> ]*	25	25	13	16	15	11	
ρ <sub>k</sub> [kg/m <sup>3</sup> ]	475	473	370	415	410	430	
f <sub>tor,k</sub> / R <sub>tor,k</sub>	fulfilled			fulfilled			
Durability	class 2			class 2			EN 1995-1-1:2004

\*values are minimum

8. Appropriate Technical Documentation and/or Specific Technical Documentation:

Karlsruher Institut für Technologie (KIT) - NB0769 : ITT Nr. 106254/01 & 106254/04 (d=6,0), 106254/02, 106254/18 & 106254/20 (d=8,0) and 106254/03 & 106254/05 (d=10,0),  
HFB Engineering GmbH - NB 1034: ITT Nr. 311002447/2/2016 (d=6,0 & 8,0) and 311002571/1/2018 (d=10,0)

The performance of the product identified above is in conformity with the set of declared performance/s. This declaration of performance is issued, in accordance with Regulation (EU) No 305/2011, under the sole responsibility of the manufacturer identified above.

Signed for and on behalf of the manufacturer by:

Mag. Ing. Gerhard Hubmann  
General Manager Tenz GmbH

